



**THANK YOU!**

We hope you enjoy your new OttLite product.

**PRODUCT REGISTRATION FORM**

Please complete the enclosed Product Registration Form and return it today by mail.

**NOTE: THIS UNIT IS FULLY ASSEMBLED**

1. Remove product from packing, placing base (A) flat on a steady surface.
2. Connect power adapter input (B) into connector (C) in the back of the product.
3. Plug the power adapter (D) into a standard household 120V AC outlet. **NOTE: Only use with the supplied power adapter to avoid damage or fire.**
4. Wireless charger is located in the center of base (E). See Wireless Charging Instructions section for details.

**TO SET THE TIME:**

- Press and hold "Set" (H) until the year starts to flash. Then press "UP/ALARM" (F) or "DOWN" (G) to change the year.
- Press "Set" (H) again and the month will start to flash. Press "UP/ALARM" (F) or "DOWN" (G) to change the month.
- Press "Set" (H) again and the day will start to flash. Press "UP/ALARM" (F) or "DOWN" (G) to change the day.
- Press "Set" (H) again and the hour will start to flash. Press "UP/ALARM" (F) or "DOWN" (G) to change the hour.
- Press "Set" (H) again and the minutes will start to flash. Press "UP/ALARM" (F) or "DOWN" (G) to change the minutes.
- Press "SET" (H) again to return to normal time keeping.

**ALARM:**

- Press and hold "UP/ALARM" (F) until the alarm time starts to flash.
- Press "UP/ALARM" (F) or "DOWN" (G) to change the alarm time. A clock indicator will appear showing the alarm is on.
- Press "SET" (H) again to return to normal time keeping.
- To stop the alarm sounding, press the "DOWN" (G) button.

**TO TURN OFF THE ALARM FUNCTION:**

- Double press the "UP/ALARM" (F) quickly to turn the alarm function on or off. Note: The alarm is off when the year is visible.

**SNOOZE:**

- When the alarm is sounding, press "SNOOZE" (I) and the alarm will snooze for five minutes before sounding again. This can be done multiple times.

**TO CHANGE THE BRIGHTNESS:**

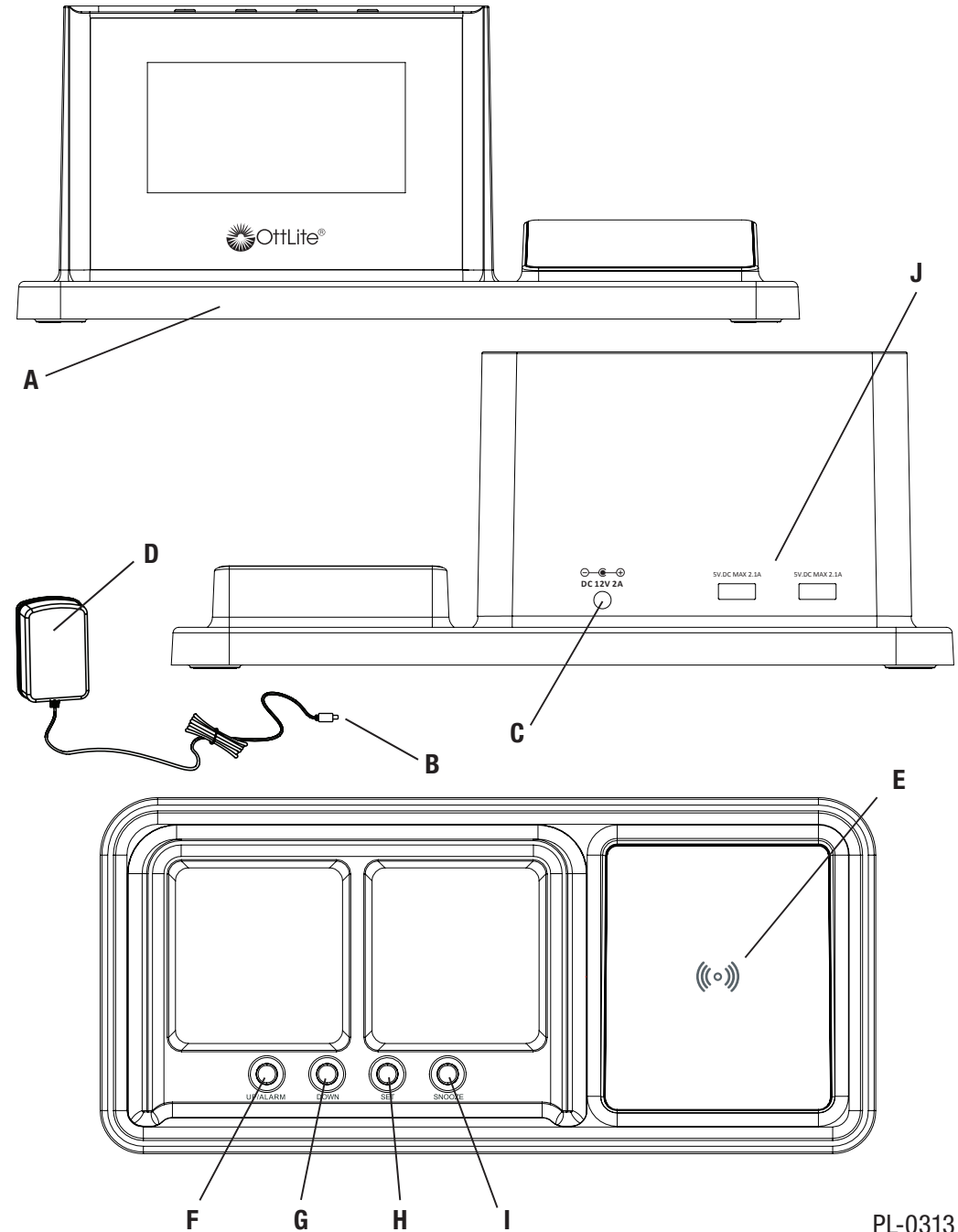
- Press the "SNOOZE" (I) button to change to the desired brightness. There are three levels.

**WIRELESS CHARGING INSTRUCTIONS:**

Wireless charging requires devices that have integrated wireless charging capabilities. To determine if your device has wireless charging, refer to the owners manual that came with your device.

To wirelessly charge a device, perform the following:

- Place the device, which supports wireless charging, face up on the middle of the wireless charging area (E).
- When the device is centered on the wireless charging area (E), your device should show charging is taking place.
- Check the charge level on your device periodically to determine when device is fully charged. **NOTE: Product DOES NOT provide any indication of when device is fully charged.**



**Organizer with Clock and Wireless Charging**

A03G5T

PL-0313

**CAUTION!** DEVICE MAY BECOME WARM DURING CHARGING. THIS IS NORMAL AND PART OF THE PROCESS. CHARGING TIMES VARY BY DEVICE.

**SAFETY WARNING:** TO REDUCE THE RISK OF FIRE, ELECTRIC SHOCK, OR INJURY TO PERSONS

1. Never use with an extension cord unless the plug can be fully inserted into the receptacles in the extension cord.
2. Do not alter the plug.
3. INDOOR USE ONLY.

**NOTE:** The important safety instructions appearing in this instruction sheet are not meant to cover all possible conditions and situations that may occur. It must be understood that common sense, caution, and care must be used with any electrical product.

**CAUTION!** IF THE EXTERNAL FLEXIBLE CABLE OR CORD OF THIS LUMINAIRE IS DAMAGED, IT SHALL BE EXCLUSIVELY REPLACED BY THE MANUFACTURER OR ITS SERVICE AGENT OR A SIMILAR QUALIFIED PERSON IN ORDER TO AVOID A HAZARD. INDOOR USE ONLY.

## FCC WARNING

This device complies with Part 18 of the FCC Rules. Operation is subject to the following two conditions:

- (1) this device may not cause harmful interference, and
- (2) this device must accept any interference received, including interference that may cause undesired operation.

“FCC/IC RF Radiation Exposure Statement Caution: To maintain compliance with the FCC’s RF exposure guidelines, place at least 20cm from nearby persons.”

## IC CANADA

This device contains licence-exempt transmitter(s)/ receiver that comply with Innovation, Science and Economic Development Canada’s licence-exempt RSS(s). Operation is subject to the following two conditions:

1. This device may not cause interference.
2. This device must accept any interference, including interference that may cause undesired operation of the device.

**CAN RSS-216/CNR-216**

**CAN ICES-003 ISSUE6**

**CAUTION:** Any change or modification to product not expressly recognized by OttLite Technologies voids OttLite’s responsibility for proper function of product.

**POWER ADAPTER SPECIFICATION:**

Input: 100-240 V~, 50/60 Hz, 1.4A  
Output: 12V, 2.0A with a Male DC Plug

**WIRELESS CHARGER SPECIFICATION:**

Output: Up to 5 watts depending on device

THIS PRODUCT CONTAINS 2 USB output ports (J) with a total of 5V, 2.1A located on the bottom rear of product. USB ports can charge items such as tablets, cellular phones, etc.

This product works with mobile phones that have integrated wireless charging capabilities.