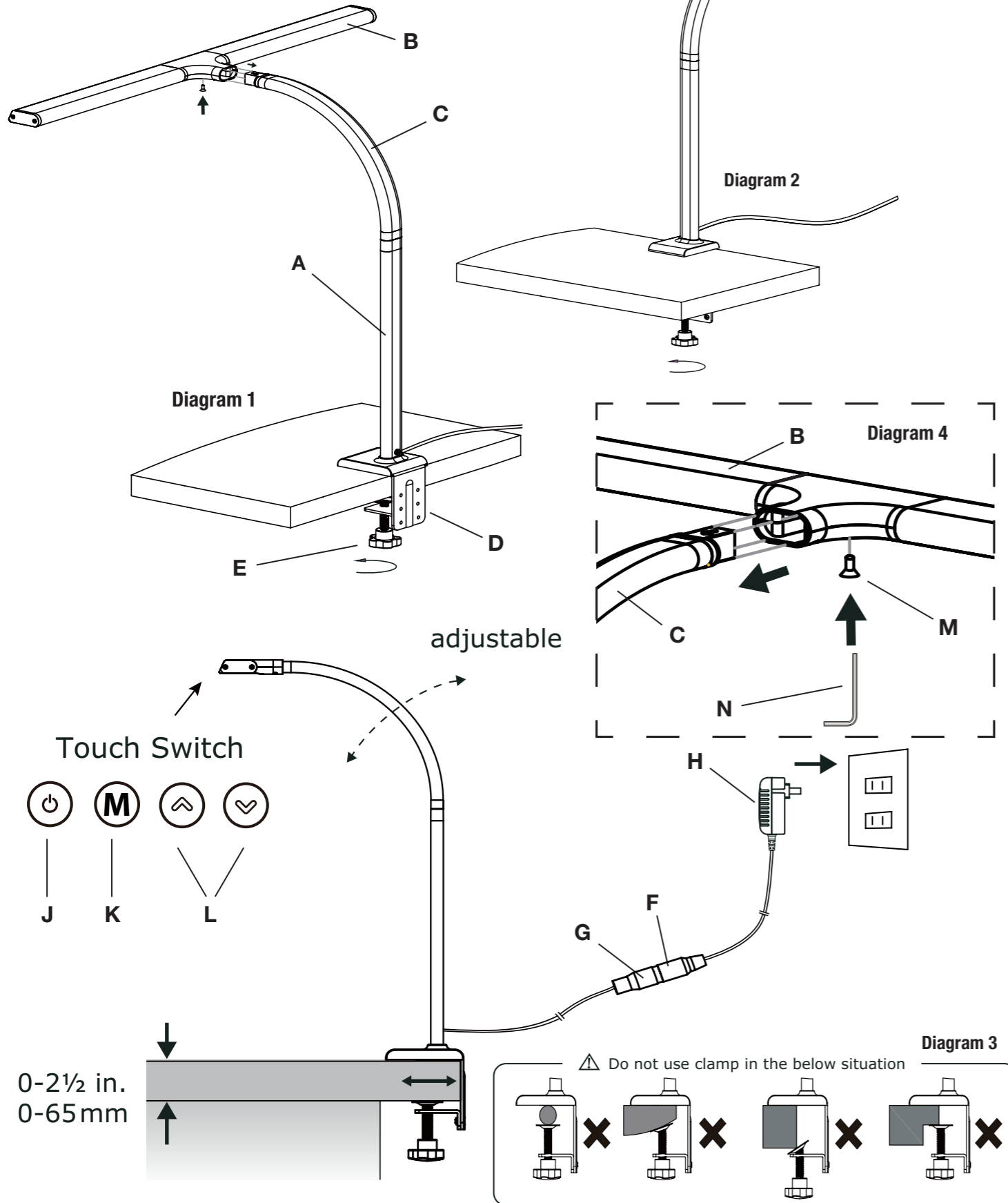




ENGLISH

Perform LED Clamp Lamp



CONGRATULATIONS!

You've purchased the finest in natural lighting technology with your new OttLite® product.

PRODUCT REGISTRATION FORM

Please complete the enclosed Product Registration Form and return it today by mail, or register online by going to: OttLite.com/warranty

WARNING: To prevent electrical shock, make sure the lamp is not plugged in until fully assembled per instructions.

LAMP ASSEMBLY

1. Remove lamp body (A) and shade assembly (B) from packaging.
2. Determine lamp position to be used on a standard horizontal table. **See diagram 1 and 2.**
3. Grasp lamp body (A) and mount clamp (D) on to the preferred edge of table. **NOTE:** Adjust clamp knob (E) as needed. Clamp must fully touch table surface. Do not use clamp as noted in **diagram 3.**
4. Connect shade assembly (B) to flex neck (C). Secure shade assembly (B) using screw (M). Screw (M) is to be tightened with provided hex tool (N). **DO NOT** overtighten screw (M) as it can strip. **See diagram 4.**
5. Connect power adapter input (F) into lamp cord connection (G).
6. Plug power adapter (H) into a standard household 120V AC outlet. **NOTE:** Only use with supplied power adapter to avoid damage or fire.

LAMP OPERATION

1. Turn the lamp **ON** or **OFF** by depressing switch (J) located on the front of the shade assembly (B).
2. To power LED lighting, slightly touch switch (J) to achieve the following:
 - to turn lamp "ON"; touch the switch "once"
 - to turn lamp "OFF"; touch the a "second" time.
3. This lamp provides three color modes and five levels of LED brightness.
4. To adjust lighting color mode: touch "MODE" key (K) to switch light color temperature mode; 3000K, 4000K, 5000K.
5. To adjust LED brightness settings, slightly touch "UP" or "DOWN" arrows (L). Upon turning ON lamp, it will initially set at the 3rd LED brightness setting. **NOTE:** The lamp will return to lamp setting last employed unless disconnected from adapter.
6. To reposition the light, grasp flex neck (C) to position as desired. Take care not to overextend the lamp to avoid damage.

SAFETY WARNING: TO REDUCE THE RISK OF FIRE, ELECTRIC SHOCK, OR INJURY TO PERSONS

1. Turn lamp off and **WAIT UNTIL SHADE ASSEMBLY (B) AND ADAPTER (H) ARE COOL** before handling.
2. Shade assembly (B) might get hot after several hours of continuous use, **DO NOT** place your hands directly on the surface of lamp head.
3. Never use with an extension cord unless the plug can be fully inserted into the receptacles in the extension cord.
4. Do not alter the plug.
5. The lamp head included with this unit cannot be replaced by the consumer.
6. **INDOOR USE ONLY.**

NOTE: The important safety instructions appearing in this instruction sheet are not meant to cover all possible conditions and situations that may occur. It must be understood that common sense, caution, and care must be used with anyelectrical product.

CAUTION! IF THE EXTERNAL FLEXIBLE CABLE OR CORD OF THIS LUMINAIRE IS DAMAGED, IT SHALL BE EXCLUSIVELY REPLACED BY THE MANUFACTURER OR ITS SERVICE AGENT OR A SIMILAR QUALIFIED PERSON IN ORDER TO AVOID A HAZARD. **INDOOR USE ONLY.**

CAUTION! THE LIGHT SOURCE OF THIS LUMINAIRE IS NOT REPLACEABLE; WHEN THE LIGHT SOURCE REACHES ITS END OF LIFE THE WHOLE LUMINAIRE SHALL BE REPLACED.

FCC PART 15

Note: This equipment has been tested and found to comply with the limits for a Class B digital device, pursuant to Part 15 of the FCC rules. These limits are designed to provide reasonable protection against harmful interference in a residential installation. This equipment generates, uses and can radiate radio frequency energy and, if not installed and used in accordance with the instructions, may cause harmful interference to radio communications. However, there is no guarantee that the interference will not occur in a particular installation. If this equipment does cause harmful interference to radio or television reception, which can be determined by turning the equipment off and on, the user is encouraged to try to correct the interference by one or more of the following measures:

- Reorient or relocate the receiving antenna.
- Increase the separation between the equipment and receiver.
- Connect the equipment into an outlet on a circuit different from that of the receiver.
- Consult the dealer or an experienced radio/TV technician for help.

Changes or modifications not expressly approved by the party responsible for compliance could void the user's authority to operate the equipment.

This device complies with Part 15 of the FCC Rules. Operation is subject to the following two conditions:

- (1) this device may not cause harmful interference, and
- (2) this device must accept any interference received, including interference that may cause undesired operation.

CAN ICES-005 (B)/NMB-005 (B)

CAUTION: Any change or modification to product not expressly recognized by OttLite Technologies voids OttLite's responsibility for proper function of product.

AC/DC ADAPTER

Input: AC 100-240V, 50/60 Hz, 0.35A
Output: 20V DC, 0.37A with a Male DC Plug

ACCESSORY: Hex Tool

Perform LED Clamp Lamp
CS49602W

ACDL583A