

Prevention

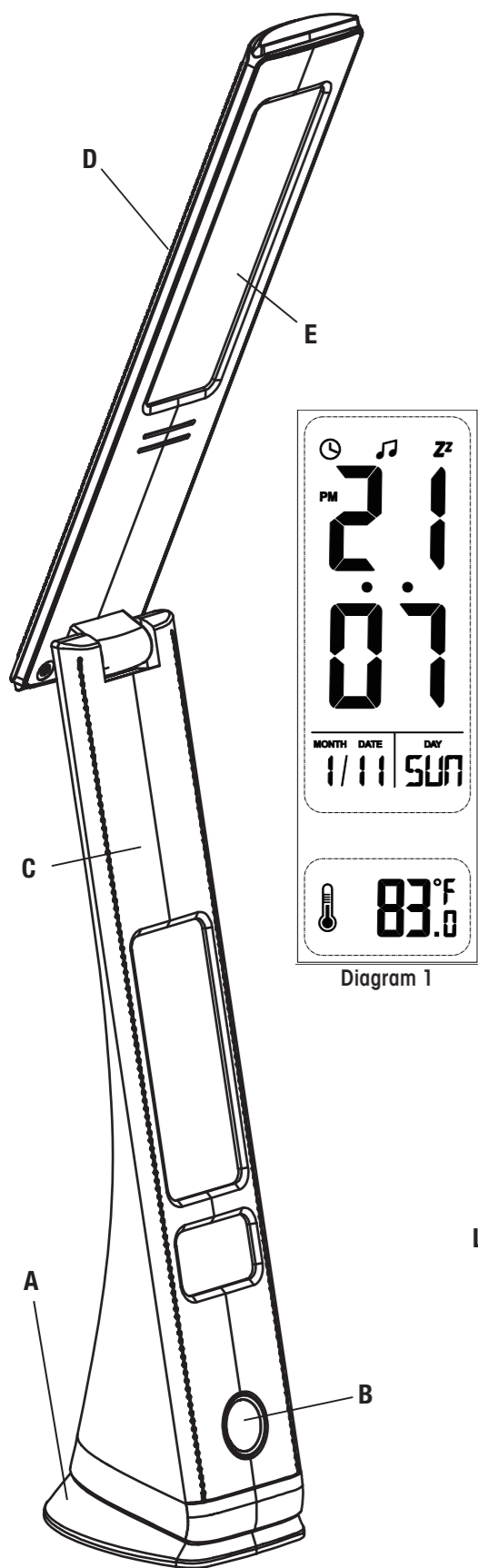


Diagram 1

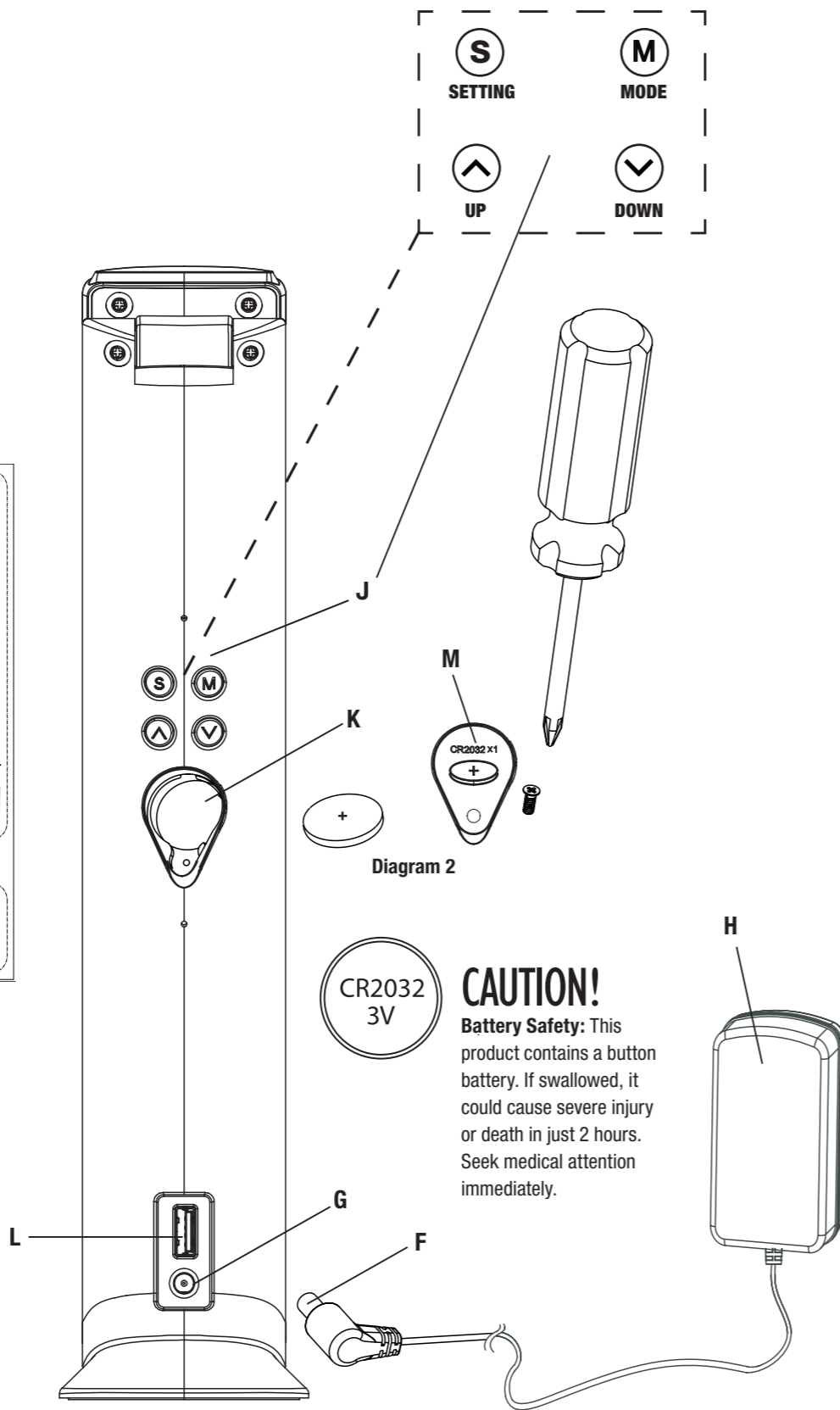


Diagram 2



CAUTION!

Battery Safety: This product contains a button battery. If swallowed, it could cause severe injury or death in just 2 hours. Seek medical attention immediately.

POWERED BY

OttLite®

U11B

ENGLISH

LED Task Lamp with Digital Display

CONGRATULATIONS!

You've purchased the finest in natural lighting technology with your new OttLite® product.

PRODUCT REGISTRATION FORM

Please complete the enclosed Product Registration Form and return it today by mail, or register online by going to: OttLite.com/warranty

WARNING: To prevent electric shock, make sure the lamp is not plugged in until all steps are complete.

NOTE: THIS UNIT IS FULLY ASSEMBLED

1. Remove lamp from packing, placing lamp body base (A) flat on a steady surface.
2. Connect power adapter input (F) into connector (G) in the rear-bottom of the lamp.
3. Plug the power adapter (H) into a standard household 120V AC outlet. **Note: Only use with the supplied power adapter to avoid damage or fire.**
4. Power switch (B) is a "touch" switch that controls ON/OFF power, the LED brightness settings and the color mode function of the lamp.
5. To power LED settings, slightly touch the switch to achieve the following:
 - Turn lamp "ON" to 1st brightness setting; touch the switch "once";
 - for 2nd brightness setting; touch the switch "two-times";
 - for 3rd brightness setting; touch the switch "three-times";
 - to turn lamp "OFF"; touch the switch "four-times".
6. This lamp provides three color modes. To adjust lighting color mode slightly "press and hold" switch (B) for three seconds to switch light color temperature mode; 5000°K, 2700°K, 4000°K.
7. To reposition the light, hold the lamp base (A) steady and grasp either lamp body (C) or shade (D) depending on needed adjustment.

REFER TO THE FOLLOWING ICON LEGEND FOR CONTROL PANEL (J), AS IT PERTAINS TO THE INSTRUCTIONS FOR VARIOUS SETTING FUNCTIONS BELOW.

- S** "SETTING BUTTON" – to set time and calendar; in alarm mode, push "S" key to turn off alarm.
- M** "MODE BUTTON" – push to set alarm and snooze
- ^** "UP BUTTON" – In setting mode, push to increase.
- v** "DOWN BUTTON" – In setting mode, push to decrease.

CALENDAR AND CLOCK SETTING:

NOTE: Control Panel (J) to set Calendar and Clock is located behind lamp body (C). NOTE: For clock operation layout and features, see diagram 1.

- Under normal mode, press "SETTING BUTTON" to enter setting mode, press "SETTING BUTTON" again for next setting. The sequence of setting is: HOUR – MINUTE – YEAR – DAY – MONTH. **NOTE:** Day of the week changes automatically with date change.
- In setting mode, press "MODE BUTTON" to quit setting, or it will automatically quit to normal mode if idle for 60 seconds.
- Under normal mode, press "UP BUTTON" to switch between "12h" and "24h" display

ALARM & SNOOZE FUNCTION SETTING:

- Under normal mode, press "MODE BUTTON" to enter alarm mode.
- Under alarm mode, press "SETTING BUTTON" to enter alarm setting, press "SETTING BUTTON" again for next setting, the sequence of setting is: HOUR – MINUTE – SNOOZE – MUSIC and then exit. **NOTE:** There are 8-music tones to select.
- Press "UP BUTTON" and "DOWN BUTTON" to adjust alarm time sequence.
- Under alarm mode, press "UP BUTTON" and "DOWN BUTTON" to turn ON/OFF alarm and snooze function. "MUSIC NOTE" icon will light up on the display to indicate alarm is set. "Zz" will appear on the display to indicate snooze is activated. Snooze can be set from 1 to 60 minutes.
- When alarm time reached, alarm will ring for 1-minute, then snooze and ring again. Press "SETTING BUTTON" to turn OFF alarm or touch "UP BUTTON" and "DOWN BUTTON" to activate snooze. **NOTE:** Snooze defaults to 60-minutes, if loss of power occurs.

TEMPERATURE SWITCH SETTING:

- In normal mode, touch "DOWN BUTTON" to switch between °F and °C display.

SAFETY WARNING: TO REDUCE THE RISK OF FIRE, ELECTRIC SHOCK, OR INJURY TO PERSONS

1. Turn lamp off and **WAIT UNTIL LAMP HEAD (D) IS COOL** before handling.
2. The LED panel (E) might get hot after several hours of continuous use **DO NOT** place your hands directly on LED light panel.
3. Never use with an extension cord unless the plug can be fully inserted into the receptacles in the extension cord.
4. Do not alter the plug.
5. The lamp head included with this unit cannot be replaced by the consumer.
6. **INDOOR USE ONLY.**

NOTE: The important safety instructions appearing in this instruction sheet are not meant to cover all possible conditions and situations that may occur. It must be understood that common sense, caution, and care must be used with any electrical product.

BATTERY REPLACEMENT

- This lamp uses a CR2032 battery. For battery replacement see diagram 2. Battery compartment (K) is located behind lamp body (C).
- To remove/install button cell battery: use a screwdriver to remove battery compartment door (M). Button cell battery is to be installed with the "+" or flat side facing upward.

BATTERY DISPOSAL: Battery disposal should be in compliance with local regulations pertaining to the disposal of hazardous materials. **DO NOT INCINERATE.**

SAFETY WARNING:

- **CAUTION: DO NOT INGEST BATTERY; CHEMICAL BURN HAZARD!**
- This lamp contains a coin/button cell battery. If the coin/button cell battery is swallowed, it can cause severe internal burns in just two hours and can lead to death.
- Keep new and used batteries away from children.
- If the battery compartment does not close securely, stop using the product and keep it away from children.
- If you think batteries might have been swallowed or placed inside any part of the body, seek immediate medical attention.

NOTE: Coin/button cell batteries are small, single cell devices having a diameter greater than their height.

CAUTION! IF THE EXTERNAL FLEXIBLE CABLE OR CORD OF THIS LUMINAIRE IS DAMAGED, IT SHALL BE EXCLUSIVELY REPLACED BY THE MANUFACTURER OR ITS SERVICE AGENT OR A SIMILAR QUALIFIED PERSON IN ORDER TO AVOID A HAZARD.

CAUTION! THE LIGHT SOURCE OF THIS LUMINAIRE IS NOT REPLACEABLE; WHEN THE LIGHT SOURCE REACHES ITS END OF LIFE THE WHOLE LUMINAIRE SHALL BE REPLACED.

CAUTION: Any change or modification to product not expressly recognized by OttLite Technologies voids OttLite's responsibility for proper function of product.

POWER ADAPTER SPECIFICATION:

Input: AC 100-240V, 50/60 Hz, 0.8A Max
Output: 12V DC, 1.5A with a Male DC Plug

THIS LAMP CONTAINS a 5V, 2.1A USB output port (L) located on the bottom rear of lamp. USB port can charge items such as tablets, cellular phones, etc.