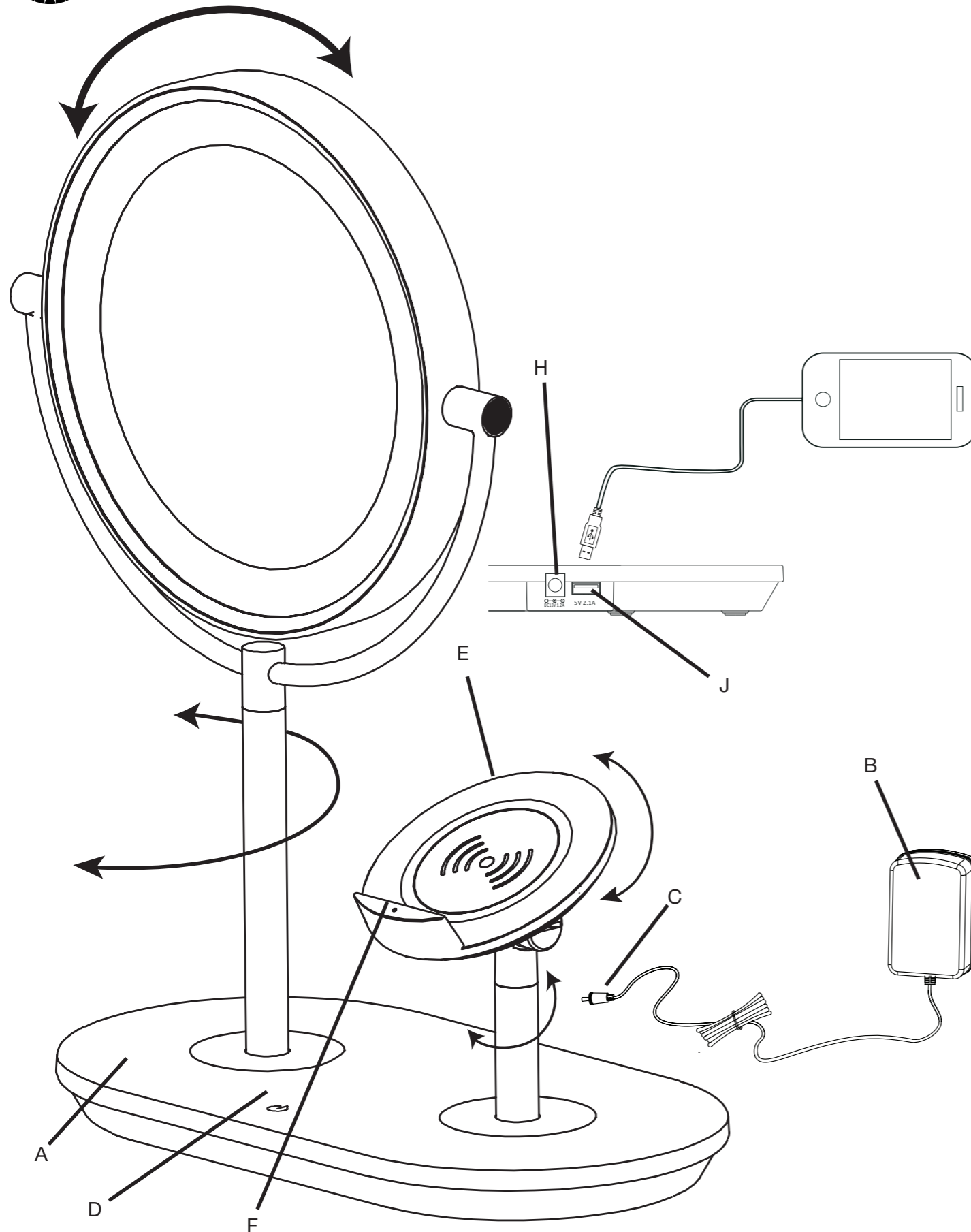




# Wireless Charging LED Makeup Mirror



Wireless Charging LED Makeup Mirror CSB03WCD

PL-0182

### CONGRATULATIONS!

You've purchased the finest in natural lighting technology with your new OttLite® product.

### PRODUCT REGISTRATION FORM

Please complete the enclosed Product Registration Form and return it today by mail, or register online by going to: [OttLite.com/warranty](http://OttLite.com/warranty)

1. Remove lamp from packaging placing lamp base (A) flat on a steady surface.
2. Connect the AC Adapter input (C) into the connector (H) in the rear-bottom of the lamp.
3. Plug the A/C adapter (B) into a standard household 120V AC outlet. Note: Only use with the supplied AC adapter to avoid damage or fire.
4. Turn the lamp ON & OFF using power switch (D) located in the front-upper side of base (A). Power switch (D) is a "touch" switch that controls the dimmer function for 3 levels of brightness.
5. To power LED settings, slightly touch the switch to achieve the following:
  - turn lamp "ON" to first lower-brightness; touch the switch "once";
  - for medium-brightness; touch the switch "twice";
  - or high-brightness; touch the switch "three-times";
  - to turn lamp "OFF"; touch the switch "four-times".
6. Wireless Charger (E) for Qi certified devices is on a separate stand next to the mirror. See Wireless Charging Instruction section for details.
7. To position the mirror simply rotate to desired position needed. Note: The mirror is double sided with a standard mirror on one side and a magnification mirror on the other.

### WIRELESS CHARGING INSTRUCTIONS:

Wireless charging requires the use of a Qi-Certified device. To determine if your device is Qi-Certified, please visit the Wireless Power Consortium website.

To wireless charge a device, perform the following:

- Place the device, which supports the Qi wireless charging standard, in the horizontal position on the charging stand.
- When the phone is centered on the Qi wireless charging emblem the blue indicator (F) will come on indicating charging. NOTE: If the BLUE light is blinking this indicates the device is not charging and needs to be properly centered.
- Monitor the battery status of your device to determine when charging is complete.

**CAUTION!** DEVICE MAY BECOME WARM DURING CHARGING. THIS IS NORMAL AND PART OF THE PROCESS. CHARGING TIMES VARY BY DEVICE.

**SAFETY WARNING:** TO REDUCE THE RISK OF FIRE, ELECTRIC SHOCK, OR INJURY TO PERSONS

1. Never use with an extension cord unless the plug can be fully inserted into the receptacles in the extension cord.
2. Do not alter the plug.
3. The mirror head included with this unit cannot be replaced by the consumer.
4. INDOOR USE ONLY

**NOTE:** The important safety instructions appearing in this instruction sheet are not meant to cover all possible conditions and situations that may occur. It must be understood that common sense, caution, and care must be used with any electrical product.

**CAUTION!** IF THE EXTERNAL FLEXIBLE CABLE OR CORD OF THIS PRODUCT IS DAMAGED, IT SHALL BE EXCLUSIVELY REPLACED BY THE MANUFACTURER OR ITS SERVICE AGENT OR A SIMILAR QUALIFIED PERSON IN ORDER TO AVOID A HAZARD. INDOOR USE ONLY.

**CAUTION!** THE LIGHT SOURCE OF THIS PRODUCT IS NOT REPLACEABLE; WHEN THE LIGHT SOURCE REACHES ITS END OF LIFE THE WHOLE PRODUCT SHALL BE REPLACED.

**CAUTION:** Any change or modification to product not expressly recognized by OttLite Technologies voids responsibility for proper function of product.

## FCC PART 15

Note: This equipment has been tested and found to comply with the limits for a Class B digital device, pursuant to Part 15 of the FCC rules. These limits are designed to provide reasonable protection against harmful interference in a residential installation. This equipment generates, uses and can radiate radio frequency energy and, if not installed and used in accordance with the instructions, may cause harmful interference to radio communications. However, there is no guarantee that the interference will not occur in a particular installation. If this equipment does cause harmful interference to radio or television reception, which can be determined by turning the equipment off and on, the user is encouraged to try to correct the interference by one or more of the following measures:

- Reorient or relocate the receiving antenna.
- Increase the separation between the equipment and receiver.
- Connect the equipment into an outlet on a circuit different from that of the receiver.
- Consult the dealer or an experienced radio/TV technician for help.

Changes or modifications not expressly approved by the party responsible for compliance could void the user's authority to operate the equipment.

This device complies with Part 15 of the FCC Rules. Operation is subject to the following two conditions:

- (1) this device may not cause harmful interference, and
- (2) this device must accept any interference received, including interference that may cause undesired operation.

### FCC/IC RF RADIATION EXPOSURE STATEMENT CAUTION:

To maintain compliance with the FCC's RF exposure guidelines, place the product at least 20cm from nearby persons.

## IC CANADA

This device contains licence-exempt transmitter(s)/receiver that comply with Innovation, Science and Economic Development Canada's licence-exempt RSS(s). Operation is subject to the following two conditions:

1. This device may not cause interference.
2. This device must accept any interference, including interference that may cause undesired operation of the device.

L'émetteur/récepteur exempt de licence contenu dans le présent appareil est conforme aux CNR d'Innovation, Sciences et Développement économique Canada applicables aux appareils radio exempts de licence. L'exploitation est autorisée aux deux conditions suivantes :

1. L'appareil ne doit pas produire de brouillage;
2. L'appareil doit accepter tout brouillage radioélectrique subi, même si le brouillage est susceptible d'en compromettre le fonctionnement.

**CAN RSS-216/CNR-216  
CAN ICES-005 (B)/NMB-005 (B)**

**POWER ADAPTOR SPECIFICATION:**  
Input: AC 100-240V, 50/60 Hz, 1.0A  
Output: 13V DC, 1.8A with a male DC plug

**QI CHARGER SPECIFICATION:**  
Output: 5V, 1A or 5Watts

THIS LAMP CONTAINS a 5V, 2.1A USB charging port located (J) at the rear of the base. USB port can charge items such as tablets, cellular phones, etc.

The "Qi" symbol is a trademark of the Wireless Power Consortium