

Figure 2 / Figura

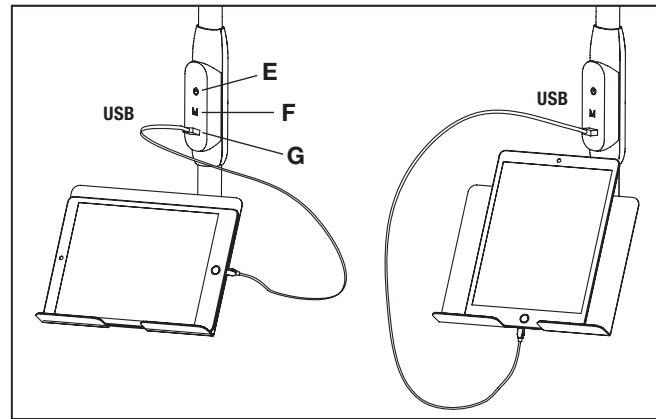
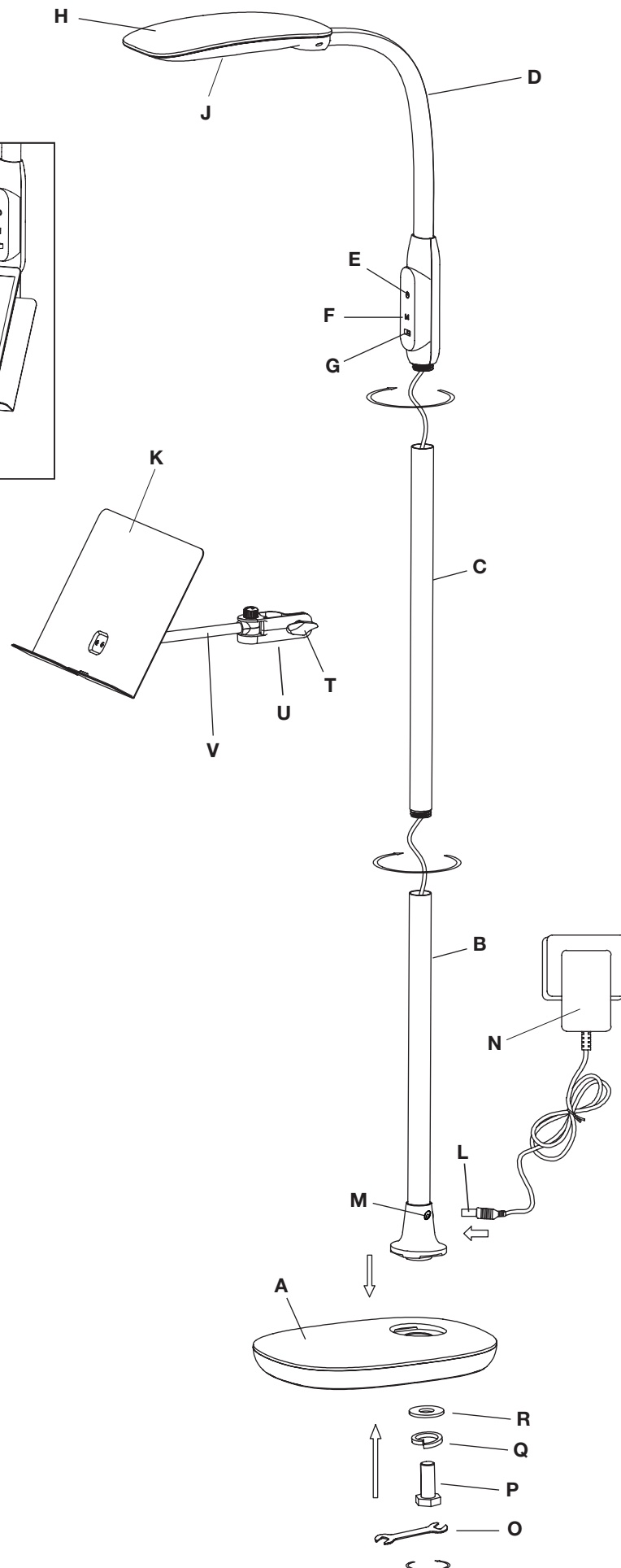
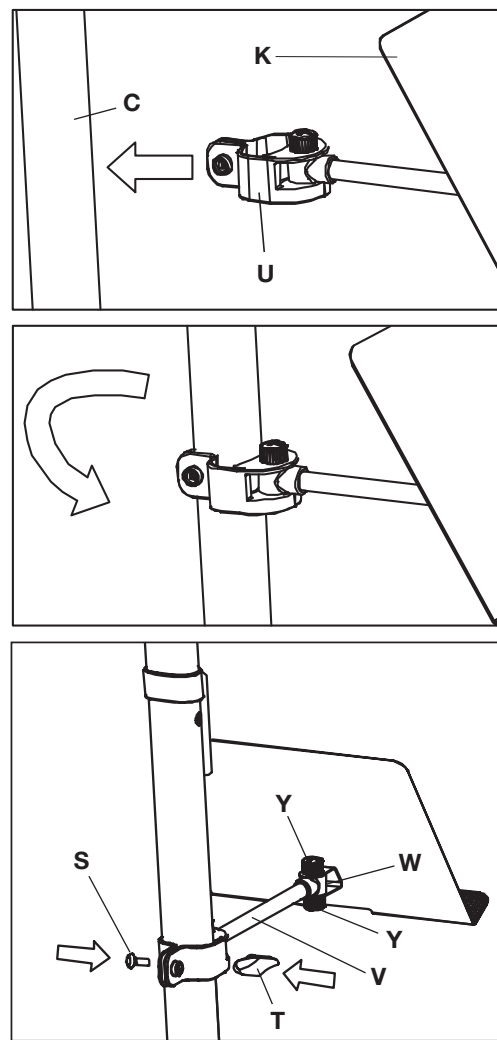


Figure 1 / Figura 1



CONGRATULATIONS!

You've purchased the finest in natural lighting technology with your new OttLite® product.

PRODUCT REGISTRATION FORM

Please complete the enclosed Product Registration Form and return it today by mail, or register online by going to: OttLite.com/warranty

WARNING: To prevent electric shock, make sure the lamp is not plugged in until all assembly steps are complete.

LAMP ASSEMBLY

1. Unpack all lamp parts and lay out with the Base (A) lying flat on a steady surface.
2. The tablet stand (K) should be placed aside to be installed after assembling floor lamp. **SEE ADJUSTABLE TABLET STAND HOLDER ASSEMBLY** section for proper installation instructions.
3. Remove wrench (O), bolt (P) and washers (Q, R) from the plastic bag included in the box containing the base. **NOTE:** On occasions, washers (Q, R) may be ONE solid washer that will serve the same purpose.
4. Firmly insert the pole (B) into the hole located in the base (A) with connection (M) facing backwards.
5. Insert bolt (P) through the lock washer (Q), then through flat washer (R), and finally into the recessed hole in the bottom of the base (A).
6. Use the enclosed wrench (O) to tighten the bolt (P) securely, turning clockwise until tight.
7. Thread upper pole (C) to lower pole (B) by hand turning clockwise until tight.
8. To ease assembly, straighten flex-neck (D) so that neck and shade (H) are in a straight line.
9. Thread arm (D) into upper pole (C) by hand turning clockwise until tight.
10. Connect the A/C adapter input (L) into connector (M) located in the rear-bottom of pole (B).

OPERATION

1. Plug the A/C Adapter (N) into a standard household 120V AC outlet. **NOTE: Only use with supplied A/C adapter to avoid damage or fire.**
2. This lamp provides four levels of brightness and three color modes.
3. Turn the lamp **ON & OFF** by using power switch (E) located beneath flex-neck (D).
4. To power LED settings, slightly touch the switch (E) to achieve the following:
 - turn lamp "ON" to 1st brightness setting; touch the switch "once"
 - for 2nd brightness setting; touch the switch "two-times"
 - for 3rd brightness setting; touch the switch "three-times"
 - for 4th brightness setting; touch the switch "four-times"
 - to turn lamp "OFF"; touch the switch "five-times".
5. To adjust lighting color modes: Press "M" (F) to change light color mode; 2700K°, 4000K°, 5000K°. **NOTE:** The last color chosen will be recalled during lamp shut down.
6. To position the shade simply bend the flex-neck (D) as needed to point the light. To avoid damaging the lamp, **DO NOT** force the flex-neck into a sharp bend.

SAFETY WARNING: TO REDUCE THE RISK OF FIRE, ELECTRIC SHOCK, OR INJURY TO PERSONS

1. Turn off/unplug and **WAIT UNTIL SHADE (H) IS COOL** before handling.
2. The LED light panel (J) might get hot after several hours of continuous use, **DO NOT** place your hands directly on LED light panel.
3. Never use with an extension cord unless the plug can be fully inserted into the receptacles in the extension cord.
4. Do not alter the plug.
5. The lamp head included with this unit cannot be replaced by the consumer.
6. **INDOOR USE ONLY**

NOTE: The important safety instructions appearing in this instruction sheet are not meant to cover all possible conditions and situations that may occur. It must be understood that common sense, caution, and care must be used with any electrical product.

ADJUSTABLE TABLET STAND HOLDER ASSEMBLY

1. The following items should be included in the package. **See Figure 1.**
 - K. Adjustable tablet stand (clamp already assembled).
 - S. Screw-bolt

- T. Tension knob
- V. Rod
- W. Joint
- Y. Joint knob

2. Remove tension knob (T) and screw-bolt (S) already installed on clamp (U).
3. Attach clamp (U) to front side of pole (C) beneath USB port (G).
4. Spread clamp (U) just enough to fit over the pole, as shown in **Figure 1**.
5. Insert screw-bolt (S) into clamp (U) from the same side it was removed as shown in **Figure 1**.
6. Thread tension knob (T) onto the screw-bolt (S) then tighten firmly by hand **NOTE: DO NOT** over tighten tension knob as this may damage it.
7. The tablet stand can be adjusted or angled left-right by moving rod (V) or joint (W) closest to stand. **NOTE:** To angle tablet, joint knobs (Y) located on joint (W) may need to be loosen and tighten as needed.
8. The adjustable tablet stand is now ready for use. See **Figure 2** for proper placement of tablet.

CAUTION: The maximum loading on the tablet stand (K) is 2 pounds. Overloading the stand may permanently damage the stand.

CAUTION! IF THE EXTERNAL FLEXIBLE CABLE OR CORD OF THIS LUMINAIRE IS DAMAGED, IT SHALL BE EXCLUSIVELY REPLACED BY THE MANUFACTURER OR ITS SERVICE AGENT OR A SIMILAR QUALIFIED PERSON IN ORDER TO AVOID A HAZARD.

CAUTION! THE LIGHT SOURCE OF THIS LUMINAIRE IS NOT REPLACEABLE; WHEN THE LIGHT SOURCE REACHES ITS END OF LIFE THE WHOLE LUMINAIRE SHALL BE REPLACED.

FCC PART 15

NOTE: This equipment has been tested and found to comply with the limits for a Class B digital device, pursuant to Part 15 of the FCC rules. These limits are designed to provide reasonable protection against harmful interference in a residential installation. This equipment generates, uses and can radiate radio frequency energy and, if not installed and used in accordance with the instructions, may cause harmful interference to radio communications. However, there is no guarantee that the interference will not occur in a particular installation. If this equipment does cause harmful interference to radio or television reception, which can be determined by turning the equipment off and on, the user is encouraged to try to correct the interference by one or more of the following measures:

- Reorient or relocate the receiving antenna.
- Increase the separation between the equipment and receiver.
- Connect the equipment into an outlet on a circuit different from that of the receiver.
- Consult the dealer or an experienced radio/TV technician for help.

Changes or modifications not expressly approved by the party responsible for compliance could void the user's authority to operate the equipment.

This device complies with Part 15 of the FCC Rules. Operation is subject to the following two conditions:

- (1) this device may not cause harmful interference, and
- (2) this device must accept any interference received, including interference that may cause undesired operation.

CAUTION: Any change or modification to product not expressly recognized by OttLite Technologies voids OttLite's responsibility for proper function of product.

CAN ICES-005 (B)/ NMB-005 (B)

AC/DC ADAPTER

Input: AC 100-240V, 50/60 Hz, 1.4A
Output: 18V DC, 1.3A with a Male DC Plug

THIS LAMP CONTAINS a 5V-2.1A USB output port (G) located beneath flex-neck (D). USB port can charge items such as tablets, cellular phones, etc.

