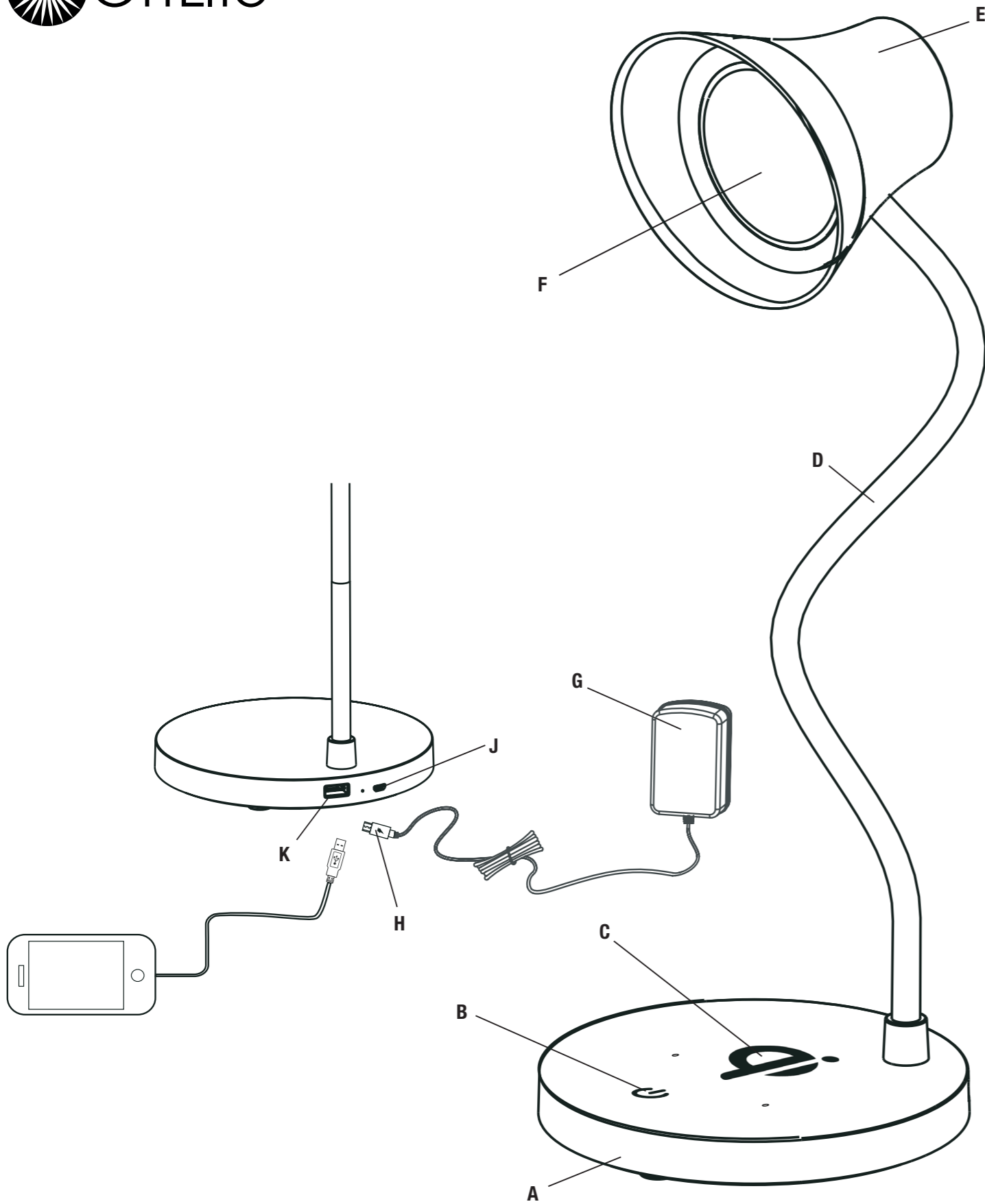




ENGLISH

Shine LED Desk Lamp with Wireless Charging



CONGRATULATIONS!

You've purchased the finest in natural lighting technology with your new OttLite® product.

PRODUCT REGISTRATION FORM

Please complete the enclosed Product Registration Form and return it today by mail.

WARNING: To prevent electric shock, make sure the lamp is not plugged in until all steps are complete.

NOTE: THIS UNIT IS FULLY ASSEMBLED

1. Remove lamp from packing, placing lamp body base (A) flat on a steady surface.
2. Connect power adapter input (H) into connector (J) in the rear-bottom of the lamp.
3. Plug the power adapter (G) into a standard household 120V AC outlet. **Note: Only use with the supplied power adapter to avoid damage or fire.**
4. Power switch (B) is a "touch" switch that controls ON/OFF power, the color mode function of the lamp, and the LED brightness settings.
5. Wireless charger for Qi-certified devices (C) is located in the center of base (A). See *Wireless Charging Instructions* section for details.
6. This lamp provides three color modes. To adjust lighting color mode "touch" switch (B) to turn "ON" lamp, then slightly "tap" switch (B) to change light color temperature mode; 5000°K, 4000°K, 2700°K.
7. To power LED dimmer, slightly touch switch (B) to turn "ON" lamp and achieve the following:
 - To operate dimmer function; continuously "press" switch to increase brightness. Stop pressing switch once desired brightness level is achieved.
 - Continuously "press" switch again to decrease brightness. Stop pressing switch once desired brightness level is achieved.
8. To reposition the light, hold base (A) steady and grasp either lamp body (D) or shade (E) depending on needed adjustment.

WIRELESS CHARGING INSTRUCTIONS:

Wireless charging requires a Qi-certified device. To determine if your device is Qi-certified, please visit the Wireless Power Consortium website.

To wirelessly charge a device, perform the following:

- Check for a **RED** light on top of base (A). This signifies a device can be charged.
- Place the device, which supports Qi wireless charging standard, face up on the middle of the Qi wireless charging icon (C).
- A different light on top of base (A) will turn **BLUE** noting charging mode is active.
- When the device is centered on the Qi wireless charging icon (C), a solid **BLUE** light will indicate the device is charging properly. **NOTE:** If a solid **RED** light, or a **RED** or **BLUE** blinking light is visible, this indicates the device is not charging and needs to be properly centered.
- Check the charge level on your device periodically to determine when device is fully charged. **NOTE:** Lamp DOES NOT provide any indication of when device is fully charged.

CAUTION! DEVICE MAY BECOME WARM DURING CHARGING. THIS IS NORMAL AND PART OF THE PROCESS. CHARGING TIMES VARY BY DEVICE.

SAFETY WARNING: TO REDUCE THE RISK OF FIRE, ELECTRIC SHOCK, OR INJURY TO PERSONS

1. Turn lamp off and **WAIT UNTIL LAMP HEAD (E) IS COOL** before handling.
2. The LED panel (F) might get hot after several hours of continuous use **DO NOT** place your hands directly on LED light panel.
3. Never use with an extension cord unless the plug can be fully inserted into the receptacles in the extension cord.
4. Do not alter the plug.
5. The lamp head included with this unit cannot be replaced by the consumer.
6. **INDOOR USE ONLY.**

NOTE: The important safety instructions appearing in this instruction sheet are not meant to cover all possible conditions and situations that may occur. It must be understood that common sense, caution, and care must be used with any electrical product.

CAUTION! IF THE EXTERNAL FLEXIBLE CABLE OR CORD OF THIS LUMINAIRE IS DAMAGED, IT SHALL BE EXCLUSIVELY REPLACED BY THE MANUFACTURER OR ITS SERVICE AGENT OR A SIMILAR QUALIFIED PERSON IN ORDER TO AVOID A HAZARD. INDOOR USE ONLY.

CAUTION! THE LIGHT SOURCE OF THIS LUMINAIRE IS NOT REPLACEABLE; WHEN THE LIGHT SOURCE REACHES ITS END OF LIFE THE WHOLE LUMINAIRE SHALL BE REPLACED.

FCC PART 15

Note: This equipment has been tested and found to comply with the limits for a Class B digital device, pursuant to Part 15 of the FCC rules. These limits are designed to provide reasonable protection against harmful interference in a residential installation. This equipment generates, uses and can radiate radio frequency energy and, if not installed and used in accordance with the instructions, may cause harmful interference to radio communications. However, there is no guarantee that the interference will not occur in a particular installation. If this equipment does cause harmful interference to radio or television reception, which can be determined by turning the equipment off and on, the user is encouraged to try to correct the interference by one or more of the following measures:

- Reorient or relocate the receiving antenna.
- Increase the separation between the equipment and receiver.
- Connect the equipment into an outlet on a circuit different from that of the receiver.
- Consult the dealer or an experienced radio/TV technician for help.

Changes or modifications not expressly approved by the party responsible for compliance could void the user's authority to operate the equipment.

This device complies with Part 15 of the FCC Rules. Operation is subject to the following two conditions:

- (1) this device may not cause harmful interference, and
- (2) this device must accept any interference received, including interference that may cause undesired operation.

CAUTION: Any change or modification to product not expressly recognized by OttLite Technologies voids OttLite's responsibility for proper function of product.

CAN ICES-001 (B)/NMB-001 (B)

CAN ICES-005 (B)/NMB-005 (B)

POWER ADAPTER SPECIFICATION:

Input: AC 100-240V, 50/60 Hz, 1.2A Max
Output: 12V DC, 2A with a Male DC Plug

Qi CHARGER SPECIFICATION:

Output: 5V, 1A or 5 watts

THIS LAMP CONTAINS a 5V, 2.1A USB output port (K) located on the bottom rear of lamp. USB port can charge items such as tablets, cellular phones, etc.

The "Qi" symbol is a trademark of the Wireless Power Consortium

Shine LED Desk Lamp with Wireless Charging

CS03KQI CS03KQI-SHPR



X21A