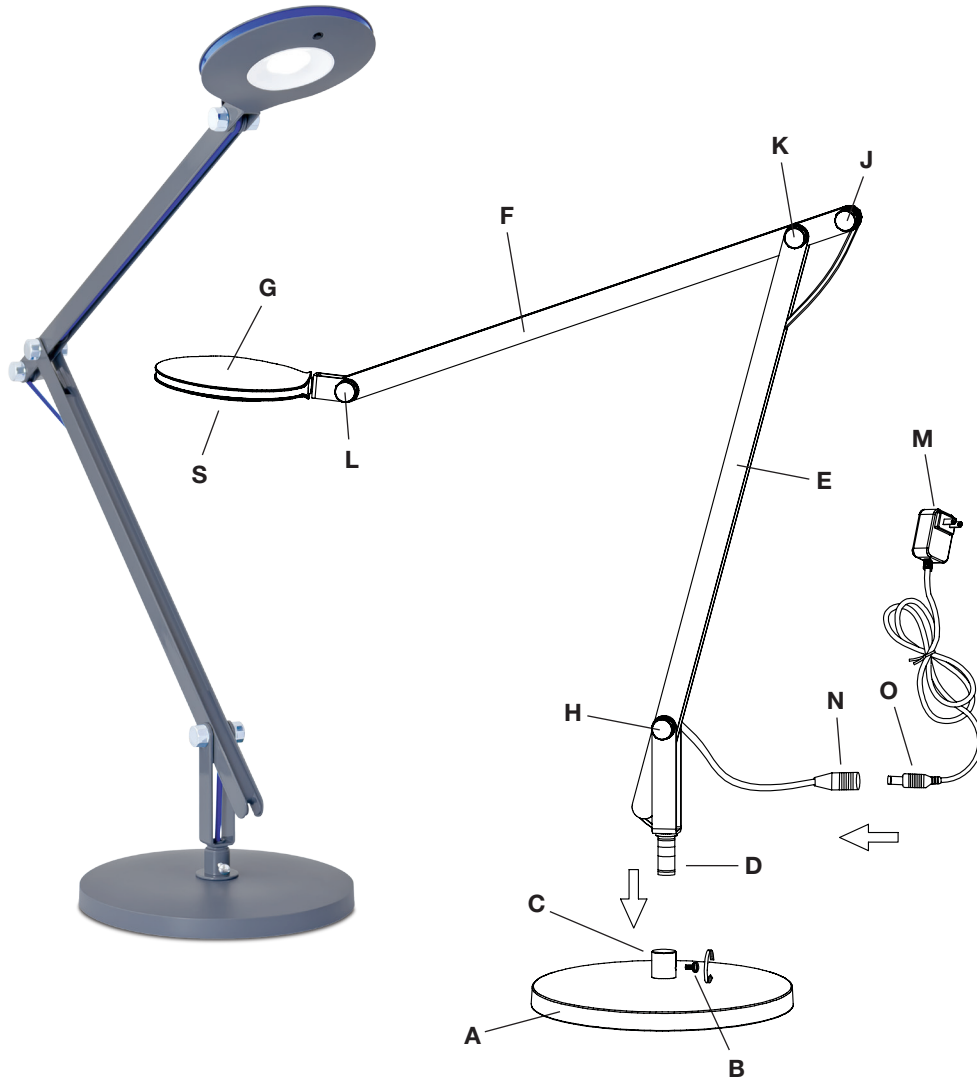




ENGLISH

LED Modern Crane Lamp



LED Modern Crane Lamp
T57G5Z T5751Z T57G5B-FFP T5751B-FFP

PL-0064B

CONGRATULATIONS!

You've purchased the finest in natural lighting technology with your new OttLite® product.

PRODUCT REGISTRATION FORM

Please complete the enclosed Product Registration Form and return it today by mail, or register online by going to: OttLite.com/warranty

LAMP ASSEMBLY

WARNING: To prevent electrical shock, make sure the lamp is not plugged in until fully assembled per instructions.

1. Make sure the lamp is not plugged in to an electrical outlet.
2. Remove all packing from the box and lay both lamp assembly and base on a solid surface such as a table.
3. Lift lamp assembly by lower arm (E) section and fully insert dowel (D) into the stem (C) on the top of base (A).
4. Insert lock screw (B) through the recessed hole located in stem (C). Lock screw (B) can be tightened by hand turning clockwise until snug. **NOTE: A screwdriver can also be used to tighten lock screw (B).**
5. Connect power adapter input (O) into lamp cord connection (N).
6. Plug power adapter (M) into a standard household 120V AC outlet. **Note: Only use with supplied power adapter to avoid damage or fire.**

SAFETY WARNING: TO REDUCE THE RISK OF FIRE, ELECTRIC SHOCK, OR INJURY TO PERSONS

LAMP OPERATION

1. Turn the lamp ON or OFF by depressing switch (S) located on the front-underside of the shade.
2. To reposition the light, hold the base steady and grasp either lower arm (E) or upper arm (F) to position as desired. Lamp body can also rotate on base.

CAUTION: The lamp is free to rotate on its base. **DO NOT** rotate the lamp such that the power cord begins to wind up.

3. Shade (G) can rotate approximately 90 degrees left-right.
4. To increase tension in arm joints, twist selected knobs (H, K, L) clockwise by hand. **DO NOT** force knobs as they can strip.

NOTE: The important safety instructions appearing in this instruction sheet are not meant to cover all possible conditions and situations that may occur. It must be understood that common sense, caution, and care must be used with any electrical product.

CAUTION! IF THE EXTERNAL FLEXIBLE CABLE OR CORD OF THIS LUMINAIRE IS DAMAGED, IT SHALL BE EXCLUSIVELY REPLACED BY THE MANUFACTURER OR ITS SERVICE AGENT OR A SIMILAR QUALIFIED PERSON IN ORDER TO AVOID A HAZARD. INDOOR USE ONLY.

FCC PART 15

Note: This equipment has been tested and found to comply with the limits for a Class B digital device, pursuant to Part 15 of the FCC rules. These limits are designed to provide reasonable protection against harmful interference in a residential installation. This equipment generates, uses and can radiate radio frequency energy and, if not installed and used in accordance with the instructions, may cause harmful interference to radio communications. However, there is no guarantee that the interference will not occur in a particular installation. If this equipment does cause harmful interference to radio or television reception, which can be determined by turning the equipment off and on, the user is encouraged to try to correct the interference by one or more of the following measures:

- Reorient or relocate the receiving antenna.
- Increase the separation between the equipment and receiver.
- Connect the equipment into an outlet on a circuit different from that of the receiver.
- Consult the dealer or an experienced radio/TV technician for help.

CAUTION: Any change or modification to product not expressly recognized by OttLite Technologies voids OttLite's responsibility for proper function of product.

CAN ICES-3 (B) / NMB-3 (B)

AC/DC ADAPTER

Input: AC 100-240V, 50/60 Hz, 0.2A
Output: 21.0V DC, 0.28A with a Male DC Plug